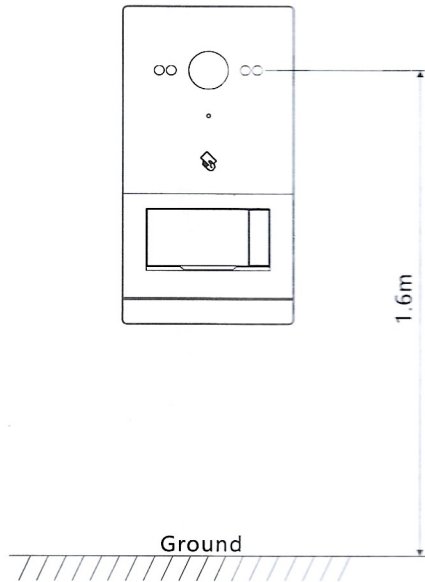




# SO004 SO005 Instruction

## Installation Illustration



Recommend height: 1.6m

## User Manual

Please scan the QR Code to consult the user manual



## Attentions

1. Please keep devices away from strong magnetic field, high temperature, wet environment;



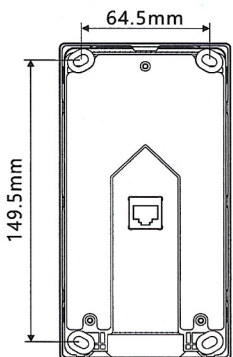
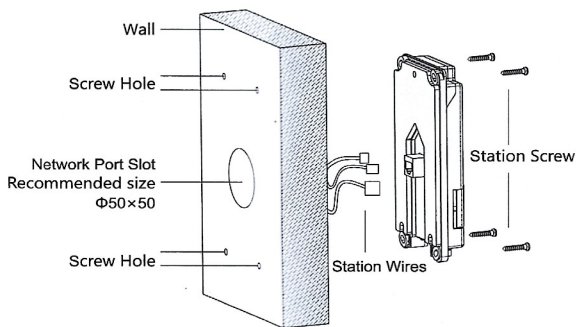
2. Please do not fall the devices to the ground or make them get hard impact;



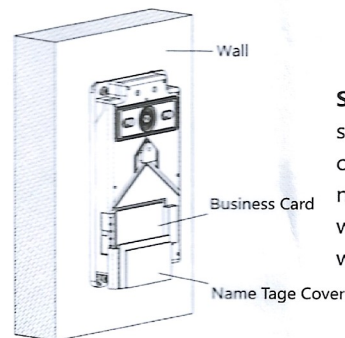
3. Please do not use wet cloth or volatile reagent to wipe the devices;



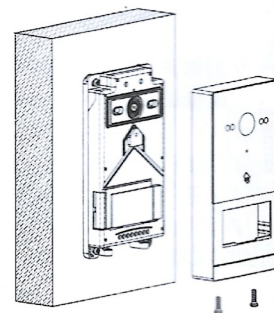
4. Please do not disassemble the devices.



**Step 1:** Drilling holes in the wall of installation size (149.5×64.5mm). Fixing the screw plug on the wall (installation size recommended to refer the center of slot hole), fix the outdoor station on the wall, and fix it with self-tapping screws.



**Step 2:** Writing something on business card and fasten it to the name tag. Connecting wires according to the wiring diagram.

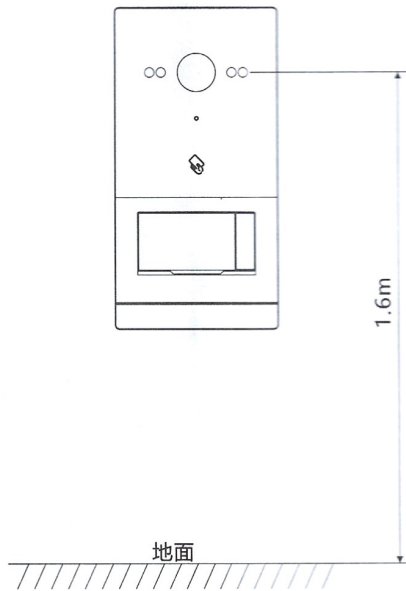


**Step 3:** Install the aluminum alloy panel on the outdoor station, using the screw to secure according to the position shown.



# SO004 SO005 安装手册

## 安装说明



建议安装高度：1.6m

## 使用手册

请扫描二维码查看使用手册



## 注意事项

1、请远离强磁场、高温、潮湿等环境；



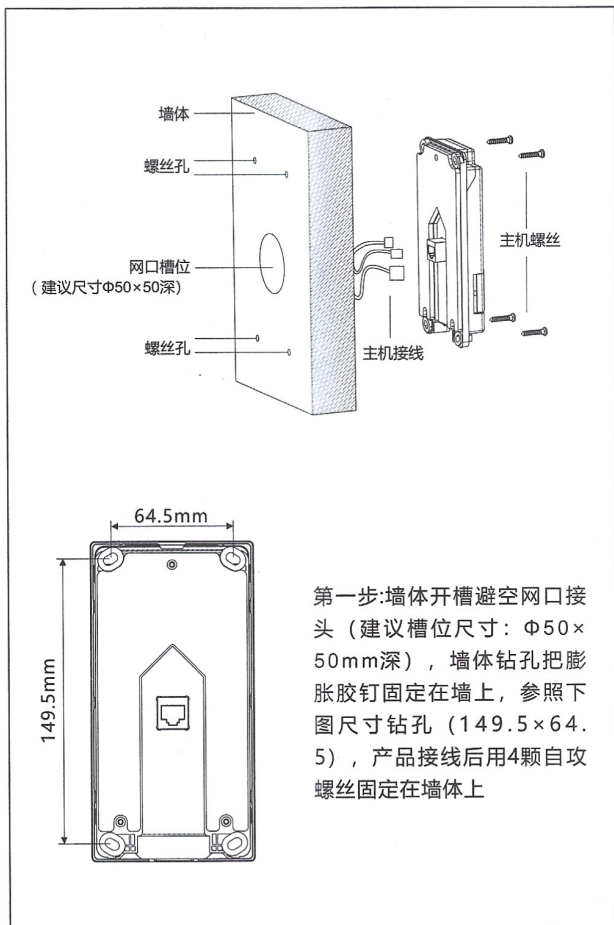
2、不要将设备摔落在地上或使之受到强力冲击；



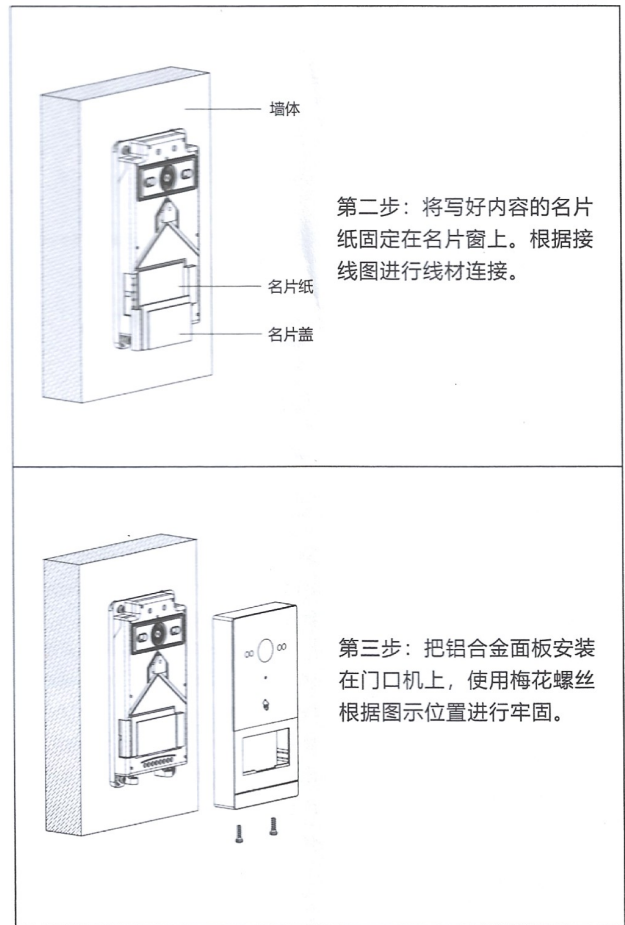
3、不要使用湿布或具有挥发性的试剂擦拭设备；



4、请勿自行拆卸本设备。



第一步:墙体开槽避空网口接头 (建议槽位尺寸:  $\Phi 50 \times 50$ mm深), 墙体钻孔把膨胀胶钉固定在墙上, 参照下图尺寸钻孔 (149.5×64.5), 产品接线后用4颗自攻螺丝固定在墙体上



第二步: 将写好内容的名片纸固定在名片窗上。根据接线图进行线材连接。

第三步: 把铝合金面板安装在门口机上, 使用梅花螺丝根据图示位置进行牢固。