

JRC-IV-4.3-IPKNX-S02-W

4.3" Indoor Monitor (48V)

Key Characteristics

Basic Function

- Support Hands-free video communication with door station, guard unit connected in the intercom system
- Support panel call to management
- Support monitoring to door stations
- Support remote unlock function by PC software

Video/Audio Function

- HD video monitoring with high performance CMOS
- 4.3-inch colored TFT LCD with resolution 480 x 272
- 5 elegant touch keys to call, monitor, unlock and soon
- Noise elimination and echo cancellation

Alarm Functions

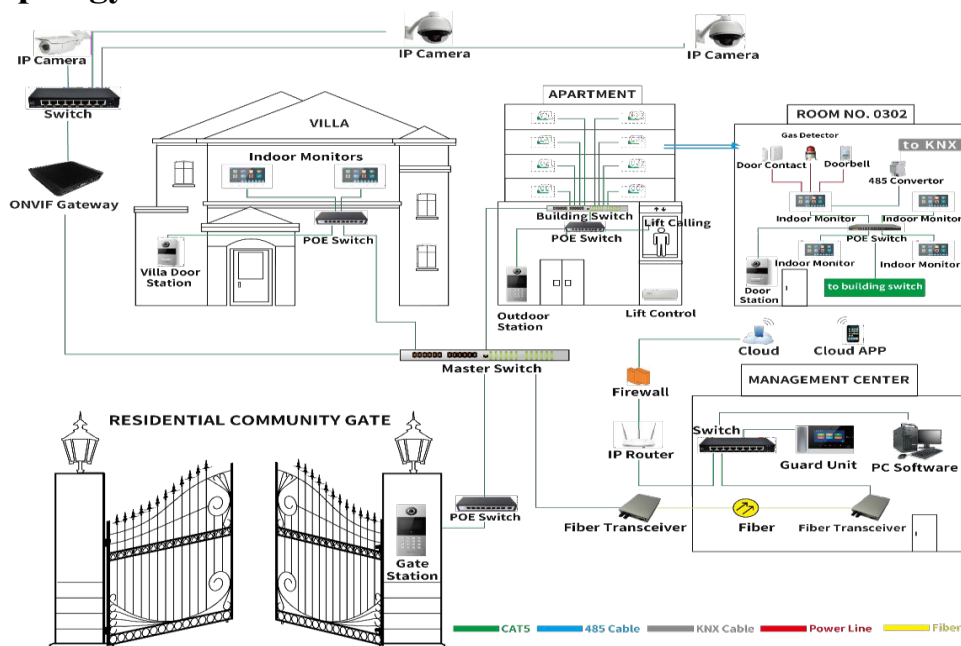
- 8-channel defense zones alarm inputs reserved

Other Features

- Community message broadcast function
- Elegant design with easy installation/operation
Background, icon, UI customization supported



Typical Topology

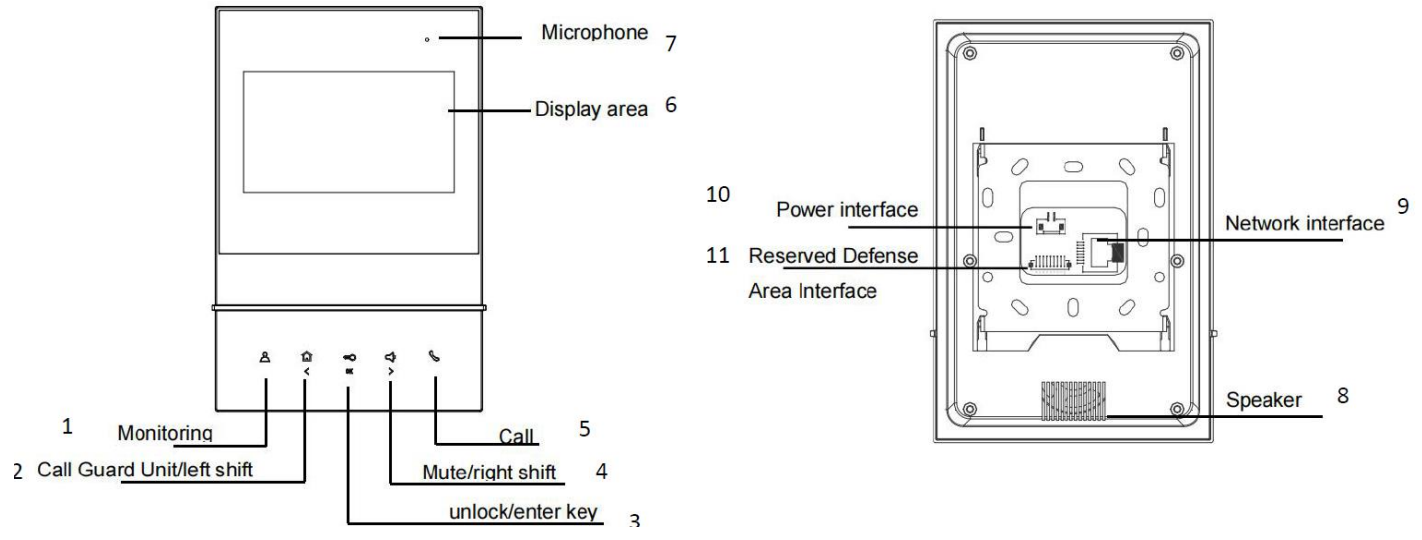


Specifications

Model	Model Number	JRC-IV-4.3-IPKNX-S02-W
System Parameters	Processor	High-Performance Embedded RTOS Processor
	Operation system	Embedded Linux Operation System
Display Parameters	Display screen	4.3-inch Colored TFT LCD
	Display resolution	480 × 272
	Operation method	Touch Key
	Operation interface	Delicate Flattened UI Operation Interface
Audio Parameters	Audio input	Built-in Omnidirectional Microphone
	Audio output	Built-in Loudspeaker
	Audio compression standard	G.711 A
	Audio compression rate	64 Kbps
	Audio quality	Noise Elimination and Echo Cancellation
Network Parameters	Ethernet	10/100 Mbps Self-Adaptive Ethernet
	Network protocol	TCP/IP, UDP
Alarm Parameters	Alarm input	Reserved 8-channel Defense Zone Alarm Inputs
Device Interfaces	Network interface	1 RJ-45 10/100 Mbps Self-Adaptive Ethernet Interface
	RS-485	1 RS-485 Half-Duplex Port
	I/O output	Unlock button
General	Call Records	100 (FIFO)
	Power supply	24V Power Over Ethernet
		DC 24V
	Power consumption	< 10 W
	Working temperature	-10° C to + 55° C (14° F to 131° F)
	Working humidity	10% to 90%
	Dimensions (L × W × H)	180.3mm × 120.3mm × 19.5mm (7.09" × 4.74" × 0.77")
	Certification	CE, ROHS



Appearance and Interfaces



Index	Description	Index	Description
1	Monitoring Key	7	Microphone
2	Call Guard Unit/ Left Shift Key	8	Speaker
3	Unlock / Enter Key	9	Network Interface
4	Mute/ Right Shift Key	10	Power Interface
5	Call Key	11	Reserved Defense Area Interface
6	4.3'' Display Area	//	//

